

Aurora White Display Refrigerations, Glass Doors

ITEM:
MODEL:

59032
RE-CN-0045E-HC

59033
RE-CN-0009E-HC



54" wide
59032

22" wide
59033

Attractively display food merchandise and increase impulse sales with Aurora glass door display refrigerators

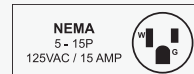
Glass doors enhance product visibility and draw customer attention. Ideal for supermarkets, cafes, and delis, the Aurora refrigerator combines ample storage with stylish design, enhancing both the aesthetic appeal and functionality of your business.

FEATURES:

- Incredibly Spacious – Adjustable Shelves**
 This unit is extremely spacious with a large cabinet with multiple adjustable shelves, thus maximizing your commercial kitchen space.
- Powerful, environmentally safe refrigeration system**
 Uses R290 refrigerant to keep your ingredients and fully prepared foods at safe frozen temperatures. The compressor is bottom mounted for energy efficiency and also raises the bottom shelf, so all your frozen ingredients are within reach and you don't have to bend as much during loading and unloading.
- Digital Temperature Control**
 Easily adjust the freezer cabinet's temperature with the digital temperature controller. The clear LCD readout also helps keep track of the unit's temperature.
- Autodefrost System**
 This unit has an automatic defrost feature which eliminates the need to spend invaluable time cleaning out the ice.



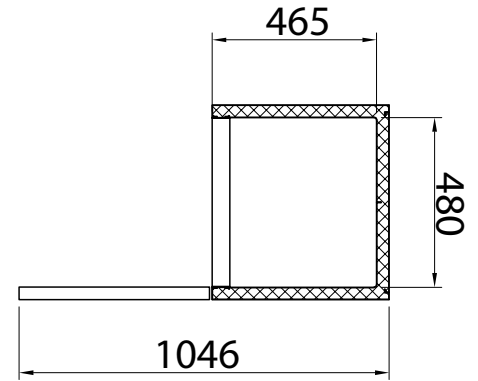
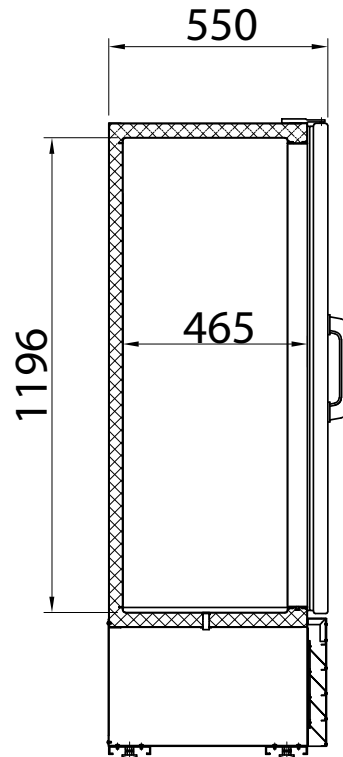
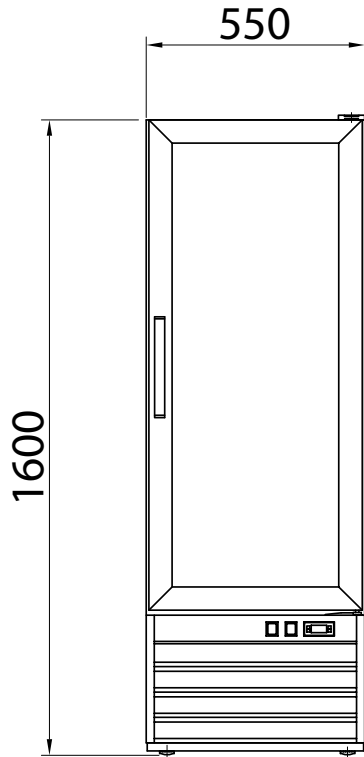
WARRANTY
2 YEARS PARTS AND LABOUR
5 YEARS ON COMPRESSOR



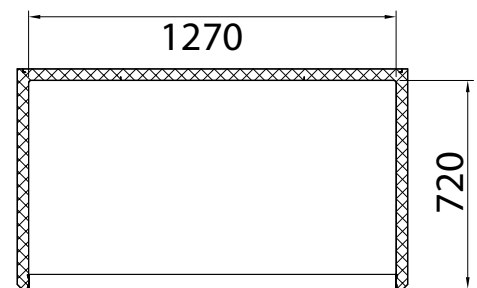
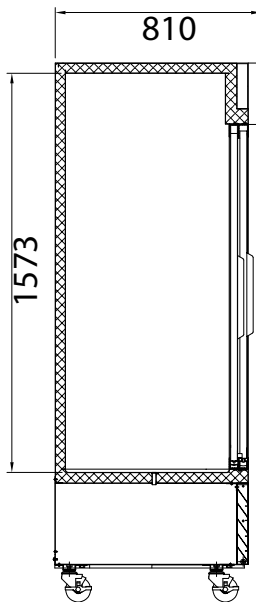
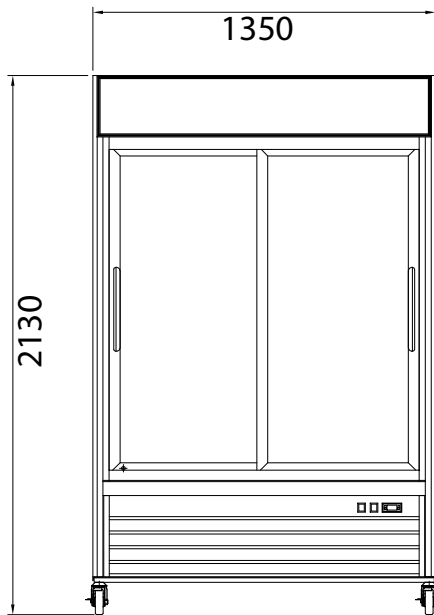
TECHNICAL SPECIFICATION		
Features	22" wide with 8.5 cu. ft. (240 L) capacity	54" wide with 45 cu.ft. (1274 L) Capacity and Lightbox
Item	59033	59032
Model	RE-CN-0009E-HC	RE-CN-0045E-HC
Capacity	8.5 cu. ft. (240 L)	45 cu. ft. (1274 L)
Number of Doors	1 Swing Door - Glass Door	2 Sliding Door - Glass Door
Self-Closing Door	YES	
Material	Stainless steel interior and exterior, aluminum back	
Number of Shelves	4	8
Shelf Capacity (kg/pc)	88 lb. (40 kg)	
Shelf Material	Plastic Coated	
Number of Casters	NO	
Power	186W	249W
Amps	2.9A	4.3A
Electrical	110-120V / 60Hz / 1Ph	
Temperature Controller	Digital	
Temperature Range	0.5°C - 5°C (33°F - 41°F)	
Refrigerant	R290	
Insulation Material	Cyclopentane	
Cooling System	Ventilated	
Defrosting	Automatic	
Interior Dimensions (WDH)	18.9" x 18.3" x 46" (480 x 465 x 1168 mm)	50" x 28.3" x 62" (1351 x 807 x 2133 mm)
Net Weight	189.5 lb. (86 kg.)	436.5 lb. (198 kg.)
Net Dimensions (WDH)	21.7" x 21.7" x 63" (551 x 551 x 1600 mm)	53.2" x 31.8" x 84" (1351 x 807 x 2133 mm)
Gross Weight	102 lb. (225 kg.)	481 lb. (218 kg.)
Gross Dimensions (WDH)	24" x 25" x 69" (599 x 630 x 1755 mm)	56" x 34" x 85" (1422 x 850 x 2148 mm)
Plug Type	NEMA 5-15P	

** This equipment is intended for indoor environment using where ambient temperature do not exceed 24°C(75°F) & 55% relative humidity*

TECHNICAL DRAWING (measurements are in mm)



22" wide
59033



54" wide
59032